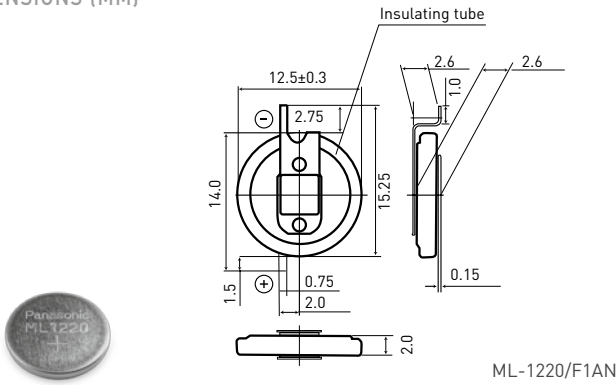


### 3 MANGANESE RECHARGEABLE LITHIUM BATTERIES (ML SERIES)

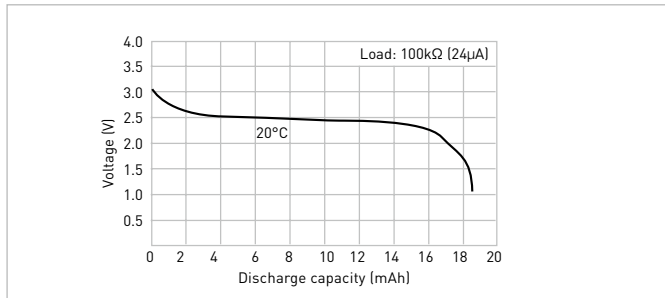
#### ML-1220

##### DIMENSIONS (MM)

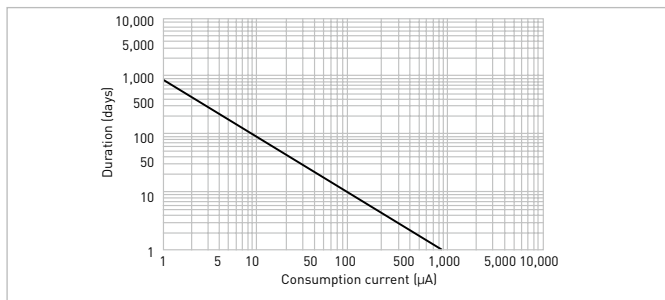


Model number	ML-1220
Nominal voltage (V)	3
Nominal capacity (mAh)	17.0
Diameter (mm)	12.5
Total height (mm)	2.0
Discharging temperature range (°C)	-20 to +60
Weight (g)	0.8

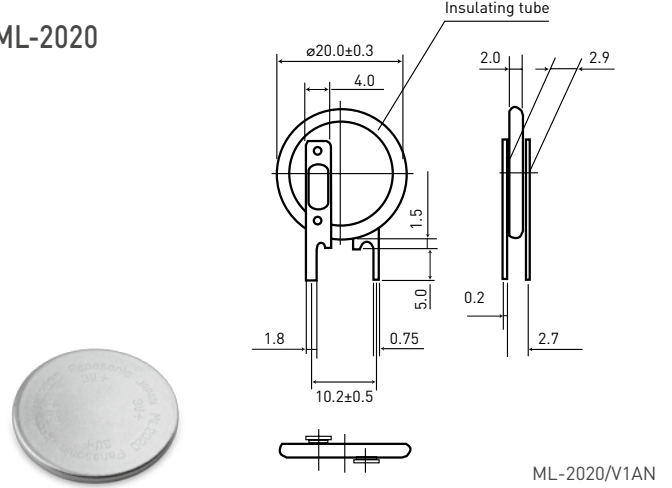
##### DISCHARGE CHARACTERISTICS



##### CONSUMPTION CURRENT VS. DURATION TIME

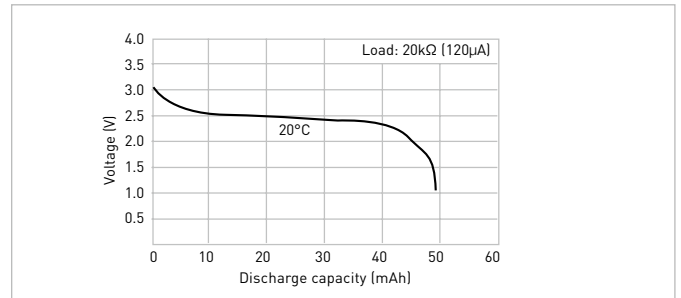


#### ML-2020



Model number	ML-2020
Nominal voltage (V)	3
Nominal capacity (mAh)	45.0
Diameter (mm)	20.0
Total height (mm)	2.0
Discharging temperature range (°C)	-20 to +60
Weight (g)	2.2

##### DISCHARGE CHARACTERISTICS



##### CONSUMPTION CURRENT VS. DURATION TIME

